

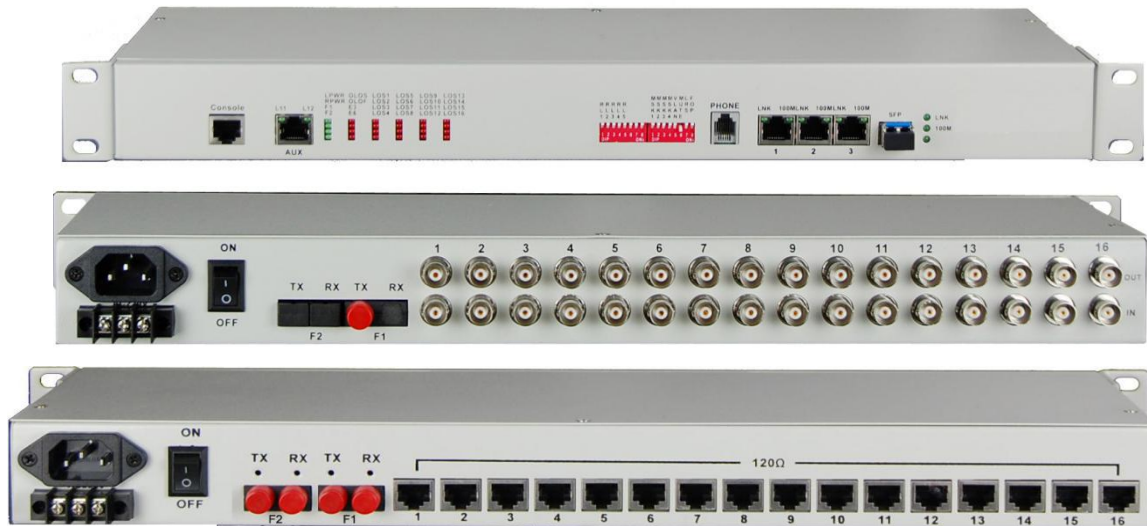


# 16E1+3GE+1000Base-X PDH Multiplexer

## Overview

The series equipment is in PDH optical fiber transmission, the company developed, based on the special large scale integrated circuit, point to point optical transmission equipment research and development. The device provides 1 ~ 16 E1 interface; 1 ~ 3 1000M Gigabit Ethernet interface (Ethernet interface to exchange, wire speed 1000M, support VLAN division (logical isolation)); 1\*1000base-X optical Ethernet interface; 1 Console; 1 extended service interface can be used as E1 signal, RS232/RS485/RS422 data; 1 digital business telephone; the application is flexible, has the alarm function, the operation is stable and reliable, low power consumption, high integration degree.

## Product Photo



## Features

- Based on self-copyright IC
- Modular wide dynamic optical detector
- Provide Console manage interface (RS232)



- Provide two fiber interface 1+1 protect ( APS ) function
- 3\*GE Ethernet interface rate is 1000M, half/full duplex Auto-Nego
- Ethernet package size support 1916 byte and 4 Ethernet port could be set separately, and ethernet bandwidth can be setting base on multiple of 32K
- E1 interface comply with G.703, adopts digital clock recovery and smooth phase-lock technology
- Uses standard 2 wire telephone (non-telephone handles) set as engineering order-wire hotline(optional)
- When optical lose signal, it can detect the remote device is power off or fiber is disconnected, and indicates alarm by LED
- The local device can view the remote device working condition
- Provide command the remote interface Loop Back, support local E1 Loop Back function, support E1 LOS and AIS alarm ,ease line maintenance
- The transmission distance is up to 2-120Km without interruption
- Support SNMP manager (SNMP agent inside) Optional
- AC 220V, DC-48V, DC24V can be optional
- DC-48V/DC24V power supply polarity detection function, Polarity-Free

## Parameters

### ◆ Fiber

#### Multi-mode Fiber

50/125um, 62.5/125um,

Maximum transmission distance: 5Km @ 62.5 / 125um single mode fiber,attenuation (3dbm/km)

Wave Length: 820nm

Transmitting power: -12dBm (Min) ~-9dBm (Max)

Receiver sensitivity: -28dBm (Min)

Link budget: 16dBm

#### Single-mode Fiber

8/125um, 9/125um



|                                |  |
|--------------------------------|--|
| Maximum transmission distance: | 40Km   |
| Transmission distance:         | 40Km @ 9 / 125um single mode fiber, attenuation (0.35dbm/km) |
| Wave Length:                   | 1310nm   |
| Transmitting power:            | -9dBm (Min) ~-8dBm (Max)                                     |
| Receiver sensitivity:          | -27dBm (Min)   |
| Link budget:                   | 18dBm  |

### ◆ E1 Interface

|                      |   |
|----------------------|---|
| Interface Standard:  | comply with protocol G.703;             |
| Interface Rate:      | n*64Kbps±50ppm;                         |
| Interface Code:      | HDB3;                                   |
| E1 Impedance:        | 75Ω (unbalance), 120Ω (balance);        |
| Jitter tolerance:    | In accord with protocol G.742 and G.823 |
| Allowed Attenuation: | 0~6dBm                                  |

### ◆ Ethernet interface(100/100M)

|                         |  |
|-------------------------|--|
| Interface rate:         | 10/100 Mbps, half/full duplex auto-negotiation |
| Interface Standard:     | Compatible with IEEE 802.3, IEEE 802.1Q (VLAN) |
| MAC Address Capability: | 4096   |
| Connector:              | RJ45, support Auto-MDIX                        |

### ◆ Working environment

|                      |                           |
|----------------------|---------------------------|
| Working temperature: | -10°C ~ 50°C              |
| Working Humidity:    | 5%~95 % (no condensation) |
| Storage temperature: | -40°C ~ 80°C              |
| Storage Humidity:    | 5%~95 % (no condensation) |

## ⋮ Specifications



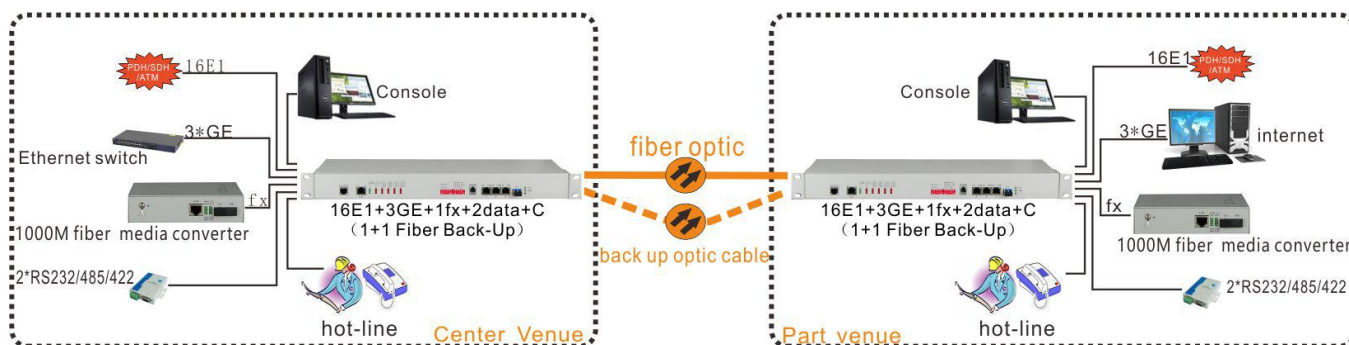
飞畅科技

Future Technology Hang Zhou FCTEL Technology Co., Ltd

PDH Multiplexer

|                        |   |
|------------------------|---|
| Model                  | Model Number: FC2P-E16G3PF1   |
| Functional Description | 16E1+3GE ethernet Ports+1*1000Base-X fiber ethernet PDH multiplexer , 19"inch 1U , optional (order wire phone,Console/SNMP , 1+1 Fiber Back up )  |
| Port Description       | 1+1 optical port, 16 E1 interfaces (75/120 ohms), 3* GE interfaces+1*1000base-X interface,1*RS232 Console interface,1*SNMP Ethernet interface, one engineering order-wire telephone interface |
| Power                  | Power supply: AC180V ~ 260V ; DC -48V ; DC +24V<br>Power consumption: ≤10W  |
| Dimension              | Product Size: 19 inch 1U 485X138X44mm(WXDXH)  |
| Weight                 | 3KG   |

## Application



Add: 7F, Building 2, No.9 xiyuan 2nd Road, West Lake District, Hang Zhou, Zhe Jiang, China;

Tel: +86 0571-87007055/6/7

Web : <http://www.fctele.com>